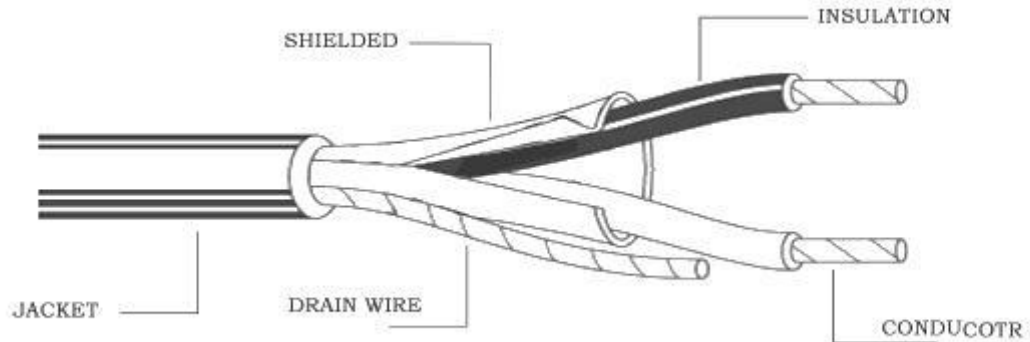




AC-18/216S-500GY

S18/STN/2C/S/WH/500FT/B 500FT Easy-pull



### 18AWG Audio Cable Specification

	Material	Specification
Conductor	Copper	OD: 0.254mm/16C*1pair
Insulation	SR-PVC	OD: 1.9mm*1pair BK/RD
Shielded	AL-Foil	Covered (16mm)
Drain Wire	Tin-Copper	OD: 0.254mm/7C
Jacket	PVC	OD: 5.20+/-0.2mm (diameter)
Jacket Color	Gray	

### Electrical & Physical Characters

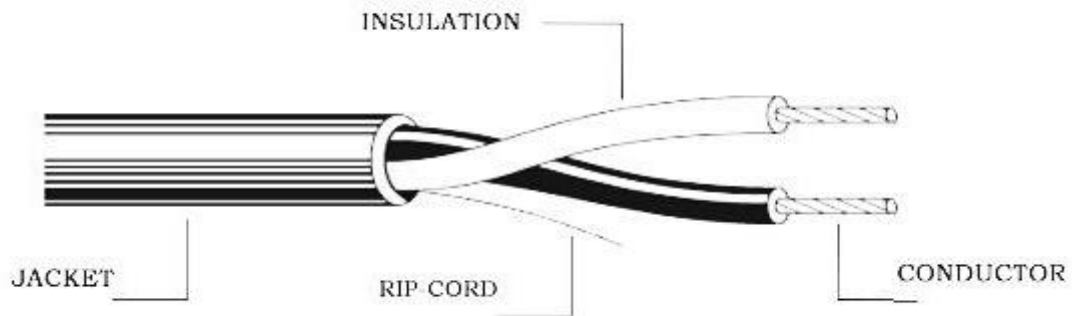
Rating	60° 300V
Conductor Resistance	Max 21OHMS/KM at20° C
Potential Withdraw	DC 500V/1min or AC 350V/1min
Insulation Resistance	1500M Ω /KM DC 500V between wire and ground
Flame Retardant Test	CM
AC Leakage Current through Overall	Jacket AC 2000V <12mA
DC Resistance Unbalance	Max 7%





AC-18/27-1KGY

S18/STN/2C/ROUND/GY/1000FT/ Easy-pull



#### 18AWG Audio Cable Specification

	Material	Specification
Conductor	Copper	OD: 0.254mm/16C*1pair
Rip-Cord	Cotton	Y
Insulation	SR-PVC	OD: 1.9mm*1pair BK/RD
Jacket	PVC	OD: 5.20+/-0.2mm (diameter)
Jacket Color	Gray	

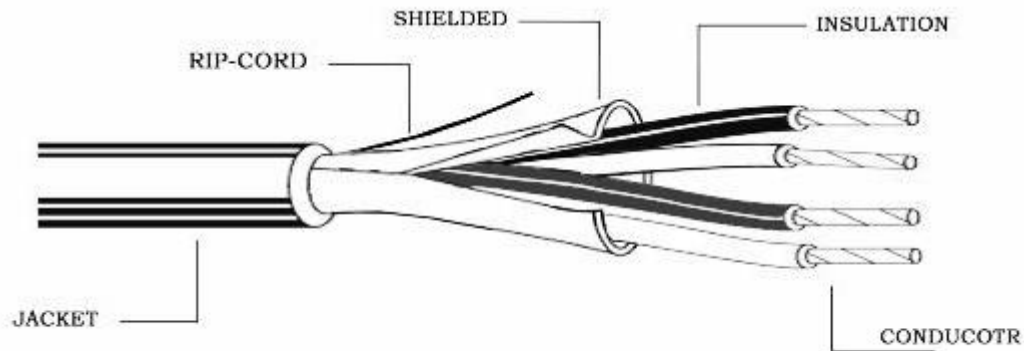
#### Electrical & Physical Characters

Rating	60° 300V
Conductor Resistance	Max 210HMS/KM at20° C
Potential Withdraw	DC 500V/1min or AC 350V/1min
Insulation Resistance	1500M Ω /KM DC 500V between wire and ground
Flame Retardant Test	CM
AC Leakage Current through Overall	Jacket AC 2000V <12mA
DC Resistance Unbalance	Max 7%





**C22-4/ALARM/WH/1000FT/B**  
**4-22AWG Security & Alarm Cable**



	Material	Specification
Conductor	Copper	OD: 0.20mm/7C*4F
Insulation	PP	OD: 1.0mm*4F BK/RD/BL/YL
Shielded	AL-Foil	Covered (12mm)
Rip-Cord	Cotton	Y
Insulation	SR-PVC	OD: 1.9mm*1pair BK/RD
Jacket	PVC	OD: 4.0+/-0.1mm (diameter)
Jacket Color	White	

**Electrical & Physical Characters**

Rating	60° 300V
Conductor Resistance	Max 210HMS/KM at20° C
Potential Withdraw	DC 500V/1min or AC 350V/1min
Insulation Resistance	1500M Ω /KM DC 500V between wire and ground
Flame Retardant Test	CM
AC Leakage Current through Overall	Jacket AC 2000V <12mA
DC Resistance Unbalance	Max 7%

